

# SupIR 30-100mm f/1.6, Manual Focus 680151

**HD**  
FORMAT

## WFOV(30mm)

HFOV	320x240	640x480	1024x768
17μ	10.3°	20.8°	33.9°
12μ	7.3°	14.6°	23.5°

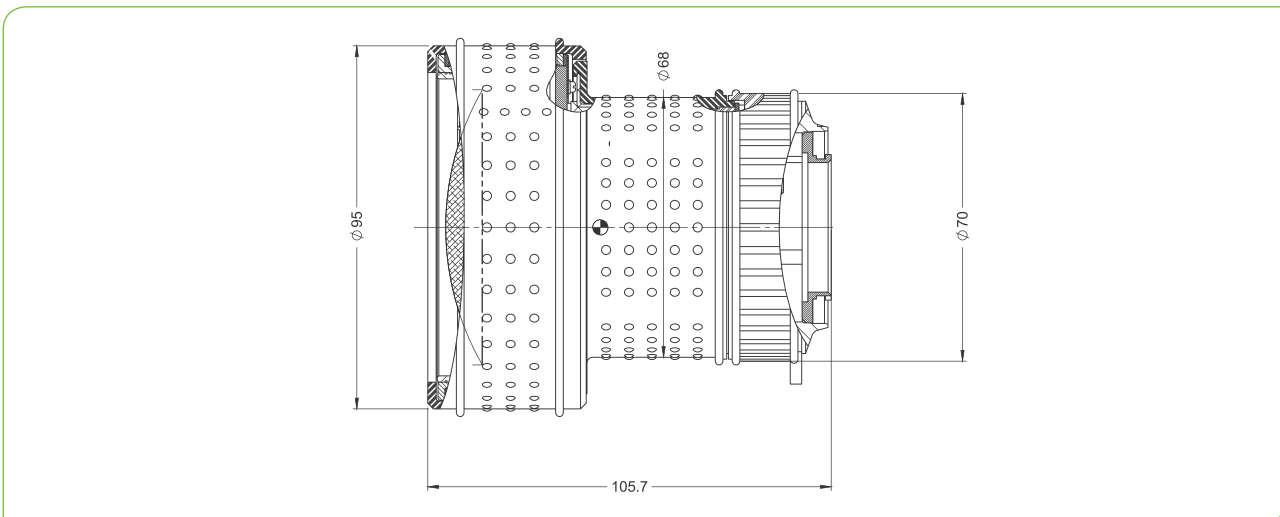
## NFOV(100mm)

HFOV	320x240	640x480	1024x768
17μ	3.1°	6.2°	9.8°
12μ	2.2°	1.1°	7.0°



LWIR | ZOOM

Property	Value	
<b>Optical</b>	<b>WFOV</b>	<b>NFOV</b>
Focal Length	30mm	100mm
F#	1.6	
Average transmission (8-12μm)	90% (HD) / 85% (HC)	
Back Focal Length	≥31.56mm in air	
Nuc (by defocus)	Yes	
<b>Mechanical</b>		
Focus Mechanism	Manual	
Zoom Mechanism	Manual	
Weight	650gr	
Max. Dimensions	Ø95.0mm x 105.7mm	



LWIR | ZOOM

Property		Value			
<b>Environmental</b>					
Operation Temperature		-40°C to +80°C			
Storage Temperature		-54°C to +85°C			
Sealing		IP 67 front element only			
Configurations	Weight (gr)	Dimensions	BWD**	Thread	Coating
680151-001	650	Ø95.0mm x 105.7mm	15	Bayonet	HD
680151-002					HC
680151-003		Ø95.0mm x 111.3mm	9.4	M34x0.5	HD
680151-004					HC

\* The ICD drawing provided here is primarily a representation and may not accurately reflect the product's actual dimensions and specifications. For precise integration specifications contact your local sales representative.

\*\* The BWD value is calculated for a unique detector setup with varying sealing windows in terms of thickness and material. For more details, contact your local sales representative.